

# NLHV001

## 1-Bit Gate Pulse Modulator

The NLHV001 is a 1-bit gate pulse modulator designed to translate logic voltages for TFT LCD panels. This part translates a low voltage logic input signal to an output voltage of 15 V to 38 V. In addition, the NLV001 provides a user selectable delay and fall time on the high-to-low edge of the output signal. The delay and fall times are controlled by the magnitudes of the external capacitor resistor, respectively.

### Features

- Gate Pulse Modulation (GPM)
- TFT LCD Flicker Compensation Circuit
- Reduction of Coupling Effect Between Gate Line and Pixel
- Provides Power Sequencing Circuit for Gate Driver IC
- Wide Power Supply Operation: 15 V to 38 V
- Adjustable Output Delay and Fall Time
- This is a Pb-Free Device

### Typical Applications

- TFT LCDs

### Important Information

- ESD Protection for All Pins:  
Human Body Model (HBM) > 3000 V

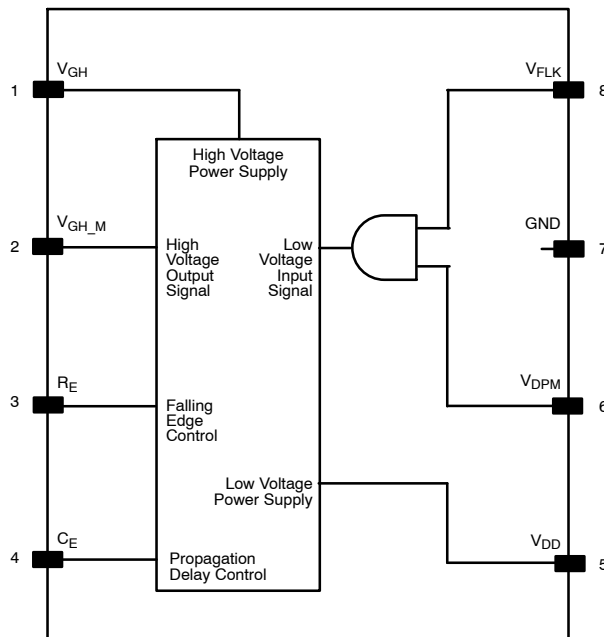


Figure 1. Block Diagram



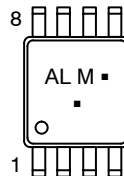
ON Semiconductor®

<http://onsemi.com>

### MARKING DIAGRAM



US8  
US SUFFIX  
CASE 493



AL = Device Code  
M = Date Code\*  
▪ = Pb-Free Package

(Note: Microdot may be in either location)

\*Date Code orientation may vary depending upon manufacturing location.

### ORDERING INFORMATION

See detailed ordering and shipping information on page 10 of this data sheet.

# NLHV001

## PIN DESCRIPTION

Pin	Pin Name	Pin Function	Comment
1	$V_{GH}$	Power Supply Input	$V_{GH} = 15$ to $38$ V
2	$V_{GH\_M}$	Output	This output directly drives the power supply of Gate Driver IC
3	$R_E$	$R_E$ pin used to set the falling edge time ( $t_{fall}$ )	The Delay time is programmed by connecting resistor $R_E$ to $V_{GH}$ and capacitor $C_E$ to ground.
4	$C_E$	$C_E$ pin used to set the propagation delay time ( $t_{ph}$ )	
5	$V_{DD}$	Reference to input	The reference input pin is used to reduce flicker. The reference input voltage is as follows: $V_{DD} \leq V_{GH} - 8.5$ V, $V_{DD} = 0$ to $25$ V
6	$V_{DPM}$	Signal input 1	$V_{DPM}$ single input voltage is as follows: $V_{DPM} = 0$ V to $V_{GH}$ . The $V_{DPM}$ pin is used to create a delay with the $V_{GH}$ to prevent system latch-up. $V_{DPM}$ also determines the time $V_{GH}$ is ON.
7	GND	Ground	
8	$V_{FLK}$	Signal input 2	$V_{FLK}$ single input voltage is as follows: $V_{DPM} = 0$ V to $V_{GH}$ . The $V_{FLK}$ determines the ON/OFF time of the TFT LCD and is produced from LCD timing controller module.

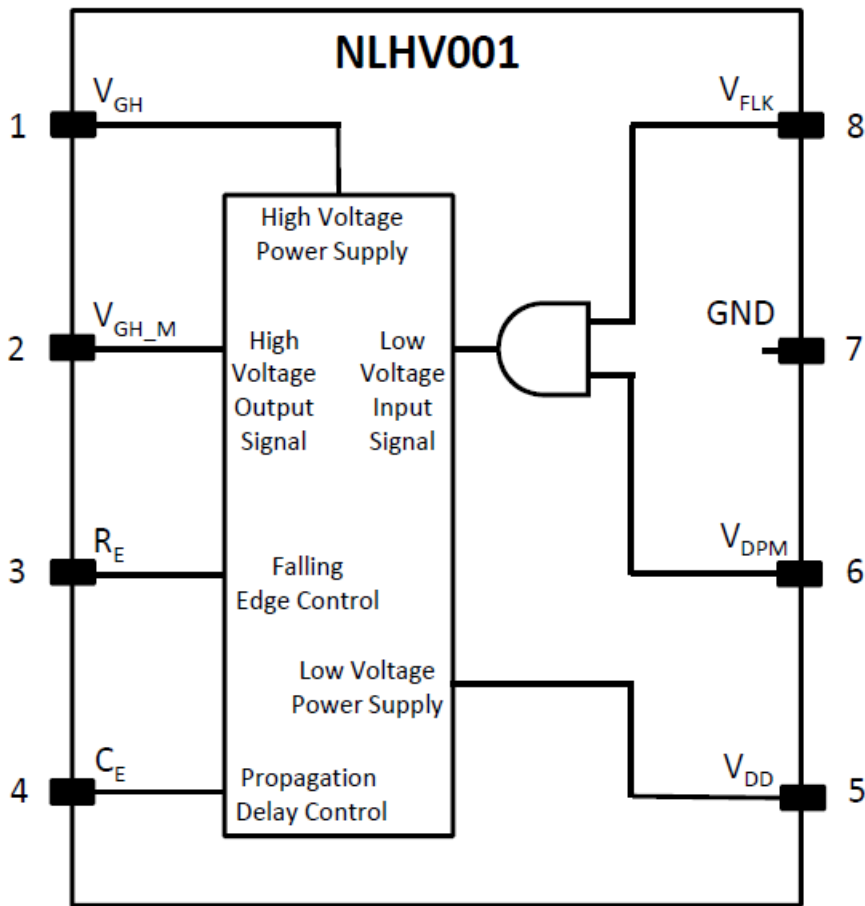


Figure 2. Block Diagram

# NLHV001

## ABSOLUTE MAXIMUM RATINGS

Symbol	Parameter	Condition	Value	Unit
$V_{GH}$	DC Supply Voltage		-0.5 to +40	V
$V_{DD}$	DC Supply Voltage		-0.5 to +40	V
$V_{FLK}$	Input Voltage $V_{FLK}$		-0.5 to +40	V
$V_{DPM}$	Input Voltage $V_{DPM}$		-0.5 to +40	V
$V_{GH} - V_{CE}$	Differential Voltage Between $V_{GH}$ and $V_{CE}$ Pins (Note 1)		9.5	V
$I_{IK}$	DC Input Diode Current		50	mA
$I_{OK}$	DC Output Diode Current		50	mA
$I_O$	DC Output Current		50	mA
$I_{GH}$	DC Supply Current Per Supply Pin		50	mA
$P_D$	Power Dissipation		200	mW
$T_J$	Junction Temperature		95	°C
$T_{STG}$	Storage Temperature		-65 to +150	°C

Stresses exceeding Maximum Ratings may damage the device. Maximum Ratings are stress ratings only. Functional operation above the Recommended Operating Conditions is not implied. Extended exposure to stresses above the Recommended Operating Conditions may affect device reliability.

1. A differential voltage between the  $V_{GH}$  and  $V_{CE}$  pins ( $V_{GH} - V_{CE}$ ) occurs during the power-up and power-down procedure. The voltages on the  $V_{GH}$  and  $C_E$  pins are equal at steady-state conditions after power-up.

## RECOMMENDED OPERATING CONDITIONS

Symbol	Parameter	Test Condition	Min	Typ	Max	Unit
$V_{GH}$	DC Supply Voltage (Note 2)	$V_{GH} - V_{DD} \geq 8.5 \text{ V}$	15	-	38	V
$V_{DD}$	DC Supply Voltage	$V_{DD} \leq V_{GH} - 8.5 \text{ V}$	0	-	25	V
$V_{FLK}$	Input Voltage $V_{FLK}$	$V_{GH\_M} = V_{GH} - 1.2 \text{ V}$	1.5	-	$V_{GH}$	V
$V_{DPM}$	Input Voltage $V_{DPM}$	$V_{GH\_M} = V_{DD} + 1.5 \text{ V}$	0	-	$V_{GH}$	V
$T_A$	Operating Temperature Range		-40	-	85	V
$V_{GH} - V_{CE}$	Differential Voltage Between $V_{GH}$ and $V_{CE}$ Pins (Note 3)		-	-	5.5	V
$\Delta t / \Delta V_{GH}$	Safe $V_{GH}$ Power-Up Slew Rate (Note 4)	$C_E = 5 \text{ pF}$	-	0.2	-	$\mu\text{s} / \text{V}$
		$C_E = 10 \text{ pF}$		0.4		
		$C_E = 50 \text{ pF}$		0.6		
		$C_E = 150 \text{ pF}$		0.7		
		$C_E = 220 \text{ pF}$		0.8		
		$C_E = 500 \text{ pF}$		1.2		
		$C_E = 1000 \text{ pF}$		2.2		

2. Maximum recommended  $V_{GH}$  supply voltage guaranteed by design.
3. A differential voltage between the  $V_{GH}$  and  $V_{CE}$  pins ( $V_{GH} - V_{CE}$ ) occurs during the power-up and power-down procedure. The voltages on the  $V_{GH}$  and  $C_E$  pins are equal at steady-state conditions after power-up.
4. It is recommended that a ceramic or tantalum decoupling capacitor of 0.1 to 1  $\mu\text{F}$  is used on the  $V_{GH}$  power supply voltage. The capacitor should be placed adjacent to the NLHV001 and connected between  $V_{GH}$  and Ground.

# NLHV001

**ELECTRICAL CHARACTERISTICS** ( $V_{GH} = 20\text{ V}$ ,  $V_{DD} = 10\text{ V}$ ,  $V_{DPM} = 2.2\text{ V}$ ,  $V_{FLK} = 2.2\text{ V}$ ,  $V_{GH} - V_{DD} \geq 8.5\text{ V}$ ,  $T_a = 25\text{ }^\circ\text{C}$ , unless otherwise noted.)

Symbol	Parameter	Test Condition	Min	Typ	Max	Unit
$V_{FLK\_H}$	FLK High Voltage	$V_{GH\_M} = V_{GH} - 1.6$	1.5	-	$V_{GH}$	V
$V_{FLK\_L}$	FLK Low Voltage	$V_{GH\_M} = V_{DD} + 1.5$	0	-	0.5	V
$V_{DPM\_H}$	DPM High Voltage	$V_{FLK} = 0\text{ V}$ , $V_{GH\_M} = V_{DD} - 0.2\text{ V}$	1.5	-	$V_{GH}$	V
$V_{DPM\_L}$	DPM Low Voltage	$V_{FLK} = 0\text{ V}$ , $V_{GH\_M} \leq 0.6\text{ V}$	0	-	0.5	V
$I_{DPM}$	DPM ON Current	$V_{FLK} = 3\text{ V}$ , $V_{GH\_M} = V_{GH}$	0.2	0.4	2	mA
$R_C$	$R_C$ (Resistor of $V_{DPM}$ pin)	$V_{GH} = 22\text{ V}$ , $R_C \approx (V_{GH} - 0.9) / I_{DPM}$ (Application Circuits 2 and 3)	10	45	100	k $\Omega$
$V_{GH\_M\_H}$	Output High Voltage	$I_O = 10\text{ mA}$	$V_{GH} - 1.6$	$V_{GH} - 0.7$	-	V
$V_{GH\_M\_R}$	Output Reset Voltage	$V_{DPM} = 0\text{ V}$ , $V_{FLK} = 3\text{ V}$	-	-	0.6	V
		$V_{DPM} = 0\text{ V}$ , $V_{FLK} = 0\text{ V}$				
$V_{GH\_M\_L}$	Output Low Voltage	$V_{DPM} = 3\text{ V}$ , $V_{FLK} = 0\text{ V}$ , $I_O = -1\text{ mA}$	$V_{DD} - 0.2$	$V_{DD} + 0.3$	$V_{DD} + 0.8$	V
$I_{GH}$	Power Supply Input Current	$V_{GH} = 35\text{ V}$ , $V_{DD} = 15\text{ V}$ , $V_{FLK} = V_{DPM} = 3.3\text{ V}$ , $I_O = 0$	-	3.5	-	mA
$I_{DD}$	Reference Input Current	$V_{GH} = 35\text{ V}$ , $V_{DD} = 15\text{ V}$ , $V_{FLK} = 0\text{ V}$ , $V_{DPM} = 3.3\text{ V}$ , $I_O = 0$	-	40	-	$\mu\text{A}$

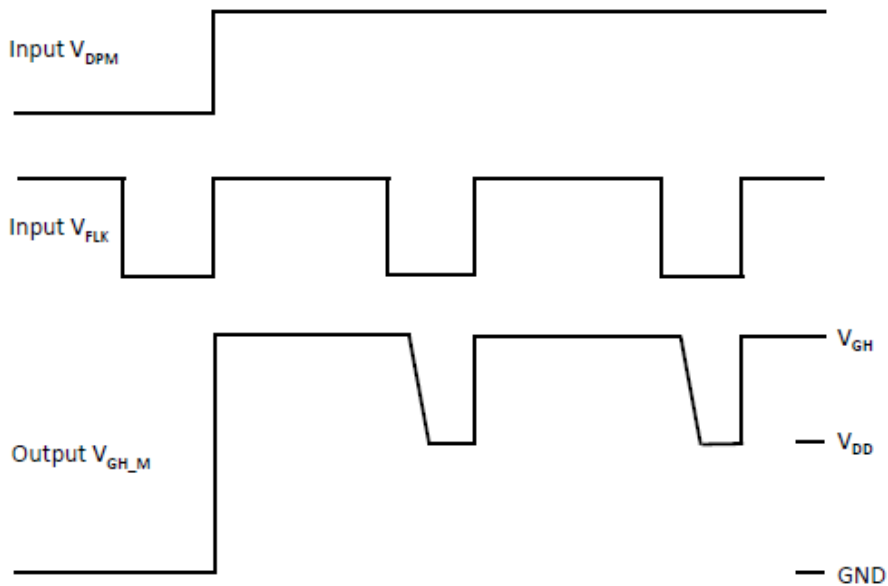


Figure 3. Input and Output Waveforms (Application Circuit #1)

# NLHV001

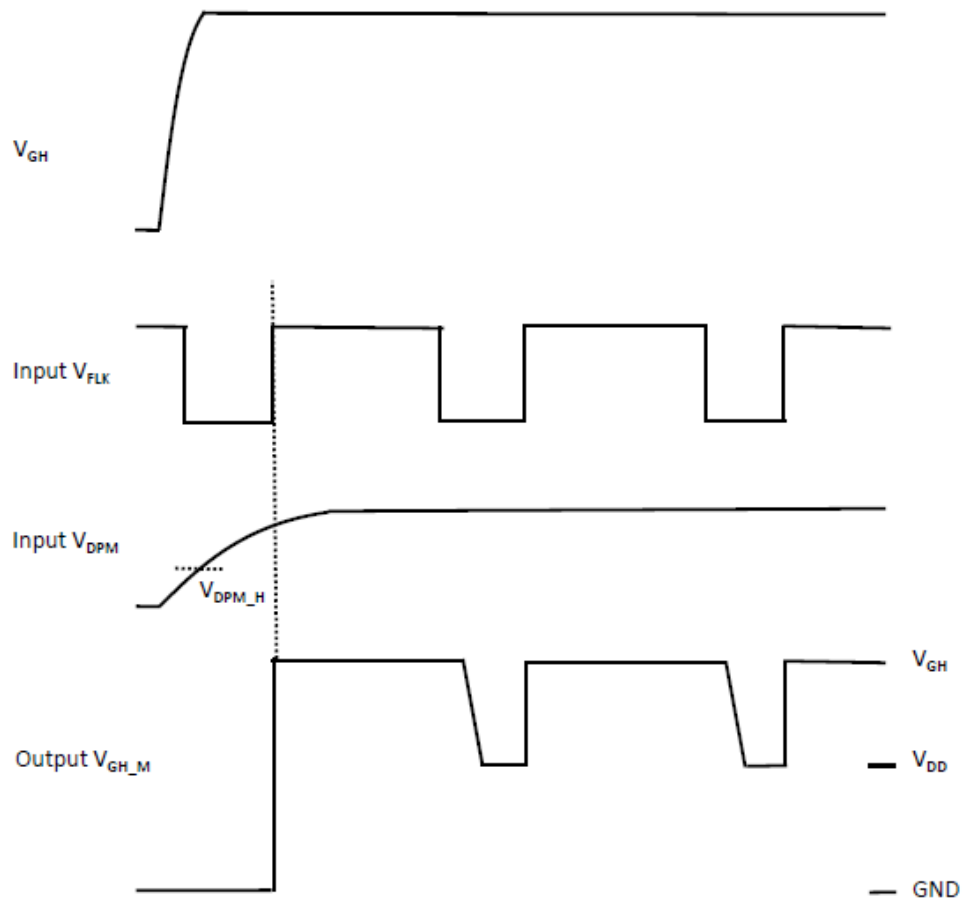


Figure 4. Input and Output Waveforms (Application Circuit #2)

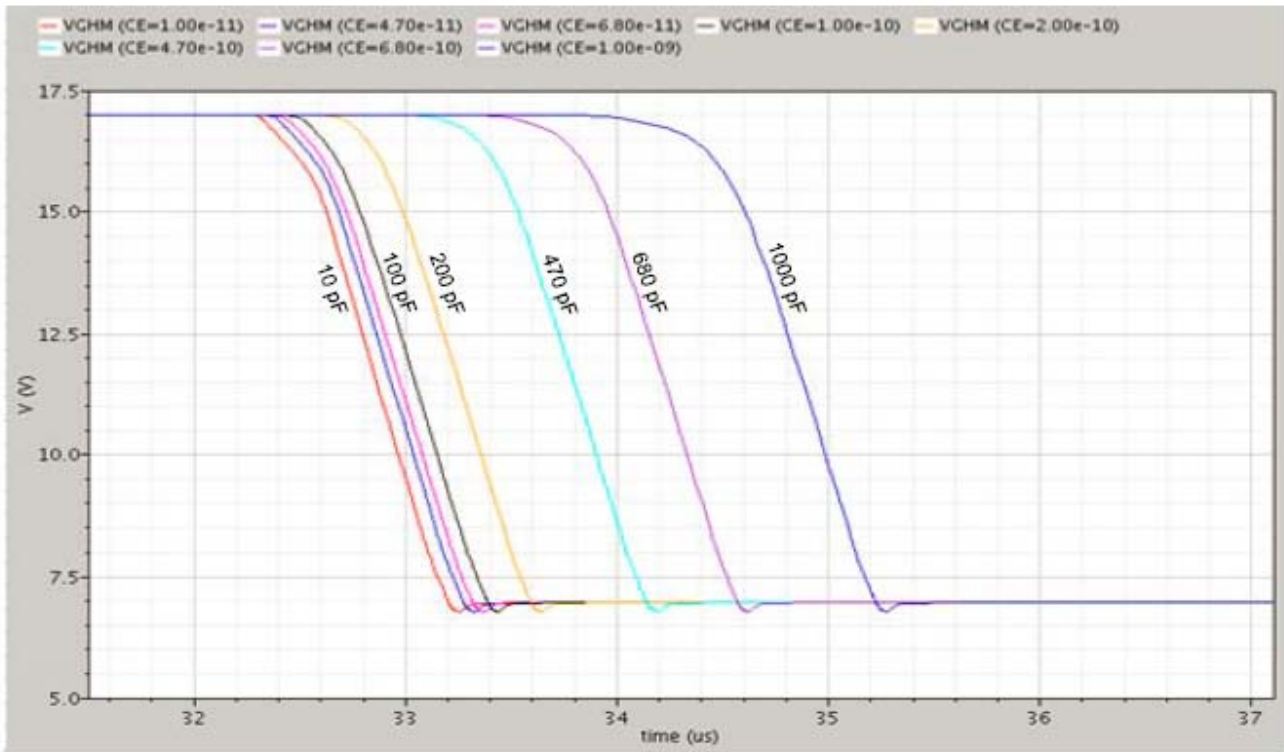


Figure 5.  $V_{GH\_M}$  Output Propagation Delay ( $t_{phl}$ ) is controlled by  $C_E$   
 (Application Circuit #1,  $V_{GH} = 18\text{ V}$ ,  $V_{DD} = 7\text{ V}$ ,  $R_E = 3.9\text{ k}\Omega$ ,  $R_L = 15\text{ k}\Omega$ ,  $C_L = 220\text{ pF}$ ,  $T_a = 25\text{ }^\circ\text{C}$ )

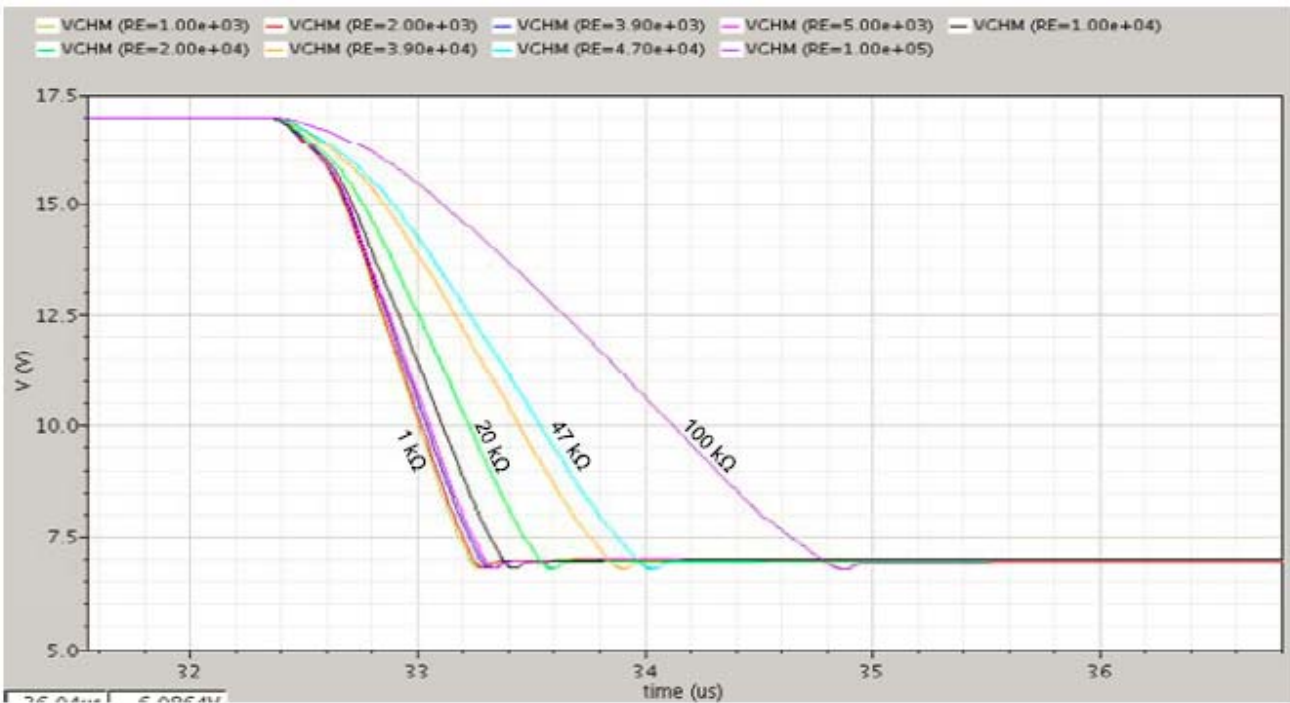


Figure 6.  $V_{GH\_M}$  Output Transition Falling Edge ( $t_{fall}$ ) is controlled by  $R_E$   
 (Application Circuit #1,  $V_{GH} = 18\text{ V}$ ,  $V_{DD} = 7\text{ V}$ ,  $C_E = 47\text{ pF}$ ,  $R_L = 15\text{ k}\Omega$ ,  $C_L = 220\text{ pF}$ ,  $T_a = 25\text{ }^\circ\text{C}$ )

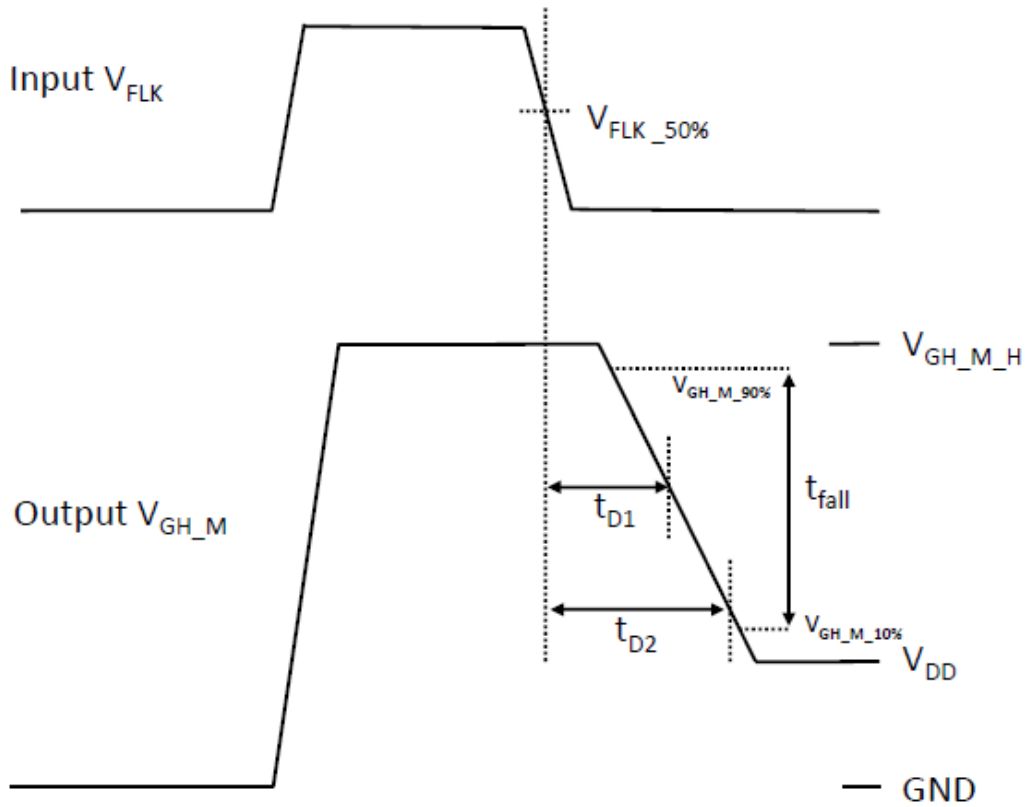


Figure 7.

**Definition of Delay Time**

$t_{D1}$  = Delay Time 1 ( $t_{D_{50-50}}$ ) =  $V_{FLK_{50\%}}$  to  $[V_{DD} + ((V_{GH\_M\_H}) - V_{DD}) \times 0.50]$

$t_{D2}$  = Delay Time 2 ( $t_{D_{50-15}}$ ) =  $V_{FLK_{50\%}}$  to  $[V_{DD} + ((V_{GH\_M\_H}) - V_{DD}) \times 0.15]$

$t_{fall}$  = 90-to-10% Fall Time =  $[V_{DD} + ((V_{GH\_M\_H}) - V_{DD}) \times 0.90]$  -  $[V_{DD} + ((V_{GH\_M\_H}) - V_{DD}) \times 0.10]$

**DELAY TIME CHARACTERISTICS**

(Application Circuit #1,  $V_{DPM} = 3\text{ V}$ ,  $V_{FLK} = 3\text{ V}$ ,  $R_E = 15\text{ k}\Omega$ ,  $R_L = 15\text{ k}\Omega$ ,  $C_L = 220\text{ pF}$ ,  $T_A = 25^\circ\text{C}$ )

Parameter	Test Condition	Typ	Unit
Delay Time 2 ( $t_{D_{50-15}}$ )	$V_{GH} = 17\text{ V}$ , $V_{DD} = 6.7\text{ V}$ , $C_E = 100\text{ pF}$	2.4	$\mu\text{s}$
	$V_{GH} = 17\text{ V}$ , $V_{DD} = 6.7\text{ V}$ , $C_E = 240\text{ pF}$	2.8	$\mu\text{s}$
	$V_{GH} = 22.4\text{ V}$ , $V_{DD} = 10\text{ V}$ , $C_E = 91\text{ pF}$	2.3	$\mu\text{s}$
	$V_{GH} = 22\text{ V}$ , $V_{DD} = 10\text{ V}$ , $C_E = 220\text{ pF}$	2.8	$\mu\text{s}$
	$V_{GH} = 25.4\text{ V}$ , $V_{DD} = 15.4\text{ V}$ , $C_E = 56\text{ pF}$	2.4	$\mu\text{s}$
	$V_{GH} = 25.4\text{ V}$ , $V_{DD} = 15.4\text{ V}$ , $C_E = 130\text{ pF}$	2.5	$\mu\text{s}$





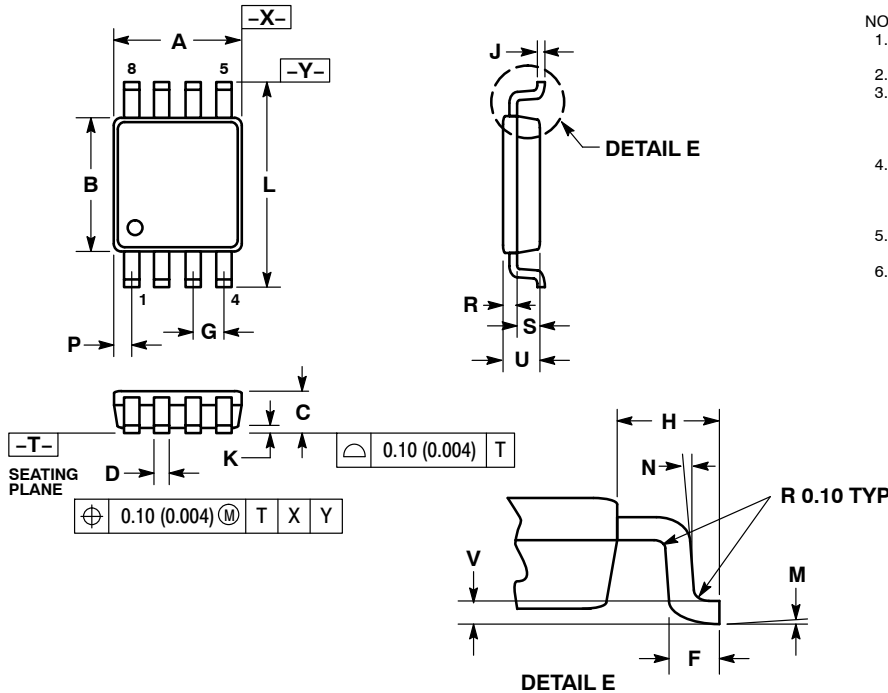




# NLHV001

## PACKAGE DIMENSIONS

US8  
CASE 493-02  
ISSUE B

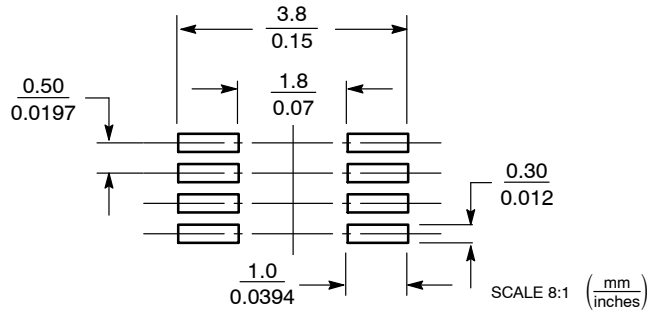


**NOTES:**

1. DIMENSIONING AND TOLERANCING PER ANSI Y14.5M, 1982.
2. CONTROLLING DIMENSION: MILLIMETERS.
3. DIMENSION "A" DOES NOT INCLUDE MOLD FLASH, PROTRUSION OR GATE BURR. MOLD FLASH, PROTRUSION AND GATE BURR SHALL NOT EXCEED 0.140 MM (0.0055") PER SIDE.
4. DIMENSION "B" DOES NOT INCLUDE INTER-LEAD FLASH OR PROTRUSION. INTER-LEAD FLASH AND PROTRUSION SHALL NOT EXCEED 0.140 (0.0055") PER SIDE.
5. LEAD FINISH IS SOLDER PLATING WITH THICKNESS OF 0.0076-0.0203 MM. (300-800 ").
6. ALL TOLERANCE UNLESS OTHERWISE SPECIFIED ±0.0508 (0.0002 ").

DIM	MILLIMETERS		INCHES	
	MIN	MAX	MIN	MAX
A	1.90	2.10	0.075	0.083
B	2.20	2.40	0.087	0.094
C	0.60	0.90	0.024	0.035
D	0.17	0.25	0.007	0.010
F	0.20	0.35	0.008	0.014
G	0.50 BSC		0.020 BSC	
H	0.40 REF		0.016 REF	
J	0.10	0.18	0.004	0.007
K	0.00	0.10	0.000	0.004
L	3.00	3.20	0.118	0.126
M	0°	6°	0°	6°
N	5°	10°	5°	10°
P	0.23	0.34	0.010	0.013
R	0.23	0.33	0.009	0.013
S	0.37	0.47	0.015	0.019
U	0.60	0.80	0.024	0.031
V	0.12 BSC		0.005 BSC	

### SOLDERING FOOTPRINT\*



\*For additional information on our Pb-Free strategy and soldering details, please download the ON Semiconductor Soldering and Mounting Techniques Reference Manual, SOLDERRM/D.

ON Semiconductor and are registered trademarks of Semiconductor Components Industries, LLC (SCILLC). SCILLC owns the rights to a number of patents, trademarks, copyrights, trade secrets, and other intellectual property. A listing of SCILLC's product/patent coverage may be accessed at [www.onsemi.com/site/pdf/Patent-Marking.pdf](http://www.onsemi.com/site/pdf/Patent-Marking.pdf). SCILLC reserves the right to make changes without further notice to any products herein. SCILLC makes no warranty, representation or guarantee regarding the suitability of its products for any particular purpose, nor does SCILLC assume any liability arising out of the application or use of any product or circuit, and specifically disclaims any and all liability, including without limitation special, consequential or incidental damages. "Typical" parameters which may be provided in SCILLC data sheets and/or specifications can and do vary in different applications and actual performance may vary over time. All operating parameters, including "Typicals" must be validated for each customer application by customer's technical experts. SCILLC does not convey any license under its patent rights nor the rights of others. SCILLC products are not designed, intended, or authorized for use as components in systems intended for surgical implant into the body, or other applications intended to support or sustain life, or for any other application in which the failure of the SCILLC product could create a situation where personal injury or death may occur. Should Buyer purchase or use SCILLC products for any such unintended or unauthorized application, Buyer shall indemnify and hold SCILLC and its officers, employees, subsidiaries, affiliates, and distributors harmless against all claims, costs, damages, and expenses, and reasonable attorney fees arising out of, directly or indirectly, any claim of personal injury or death associated with such unintended or unauthorized use, even if such claim alleges that SCILLC was negligent regarding the design or manufacture of the part. SCILLC is an Equal Opportunity/Affirmative Action Employer. This literature is subject to all applicable copyright laws and is not for resale in any manner.

### PUBLICATION ORDERING INFORMATION

**LITERATURE FULFILLMENT:**  
Literature Distribution Center for ON Semiconductor  
P.O. Box 5163, Denver, Colorado 80217 USA  
**Phone:** 303-675-2175 or 800-344-3860 Toll Free USA/Canada  
**Fax:** 303-675-2176 or 800-344-3867 Toll Free USA/Canada  
**Email:** [orderlit@onsemi.com](mailto:orderlit@onsemi.com)

**N. American Technical Support:** 800-282-9855 Toll Free  
USA/Canada  
**Europe, Middle East and Africa Technical Support:**  
Phone: 421 33 790 2910  
**Japan Customer Focus Center**  
Phone: 81-3-5817-1050

**ON Semiconductor Website:** [www.onsemi.com](http://www.onsemi.com)  
**Order Literature:** <http://www.onsemi.com/orderlit>  
For additional information, please contact your local Sales Representative